

Bargraph Indicators 48N Series

- 101-segment, 3-mm wide LED
- Red, amber, green and blue colors
- Custom scale with no extra cost
- IP65 front panel
- Separable terminal block



48ND Series :
Alarm trip +
Digital display



48NA Series :
Alarm trip



48NV-1 : Single bargraph
48NV-2 : Dual bargraph

M-System's 48N Series is a 9/64 DIN size (36 x 144 mm), tricolor or mono-color 101-segment bargraph indicator.

3-mm WIDE BARGRAPH

The 3-mm wide, bright color bars with convex surface have a wide viewing angle of 120 degrees. Red, Amber, Green and Blue LED colors are selectable. Red-Orange-Green multi-color LED in two display patterns are also selectable. The 48ND Series is additionally equipped with a 8-mm high, 4-digit red LED digital display.

IP65 FRONT COVER

The IP65 front cover is a standard feature which makes the 48N series suitable for use in harsh industrial environments where water or cleanser mist, dust particles are ever present.

EASY MAINTENANCE

The shallow 103-mm deep module can be installed both in vertical and horizontal positions. Mounting is quite easy: wire to the separable terminal block at the rear of the panel, then insert the indicator module from the front and plug the terminal block in. In addition, the front scale plate can be replaced without needing any tool. Not only the most basic 0 to 100% scale, customer specified scales with special engineering units are ordered at no additional price.

SELECTION OF OPTIONS

Two SPDT relay and two N.O. relay outputs are available for alarm trip. LED segments at the setpoint are lighted on the bargraph, and an alarm trip indicator for each setpoint turns on when an alarm is triggered.

Three basic series are available:

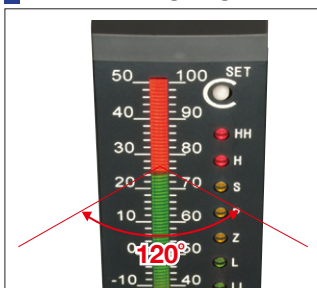
- 48NV Single or dual bargraphs
- 48NA Series Single bargraph + dual/quad alarm trip
- 48ND Series Single bargraph + 4-digit digital display + dual/quad alarm trip

The 48NA and the 48ND Series are available with DC mV/V/mA, thermocouple, RTD and potentiometer inputs. DC input model is also available with optional two-wire transmitter excitation with 4-20 mA input, or with DC transmitter output.

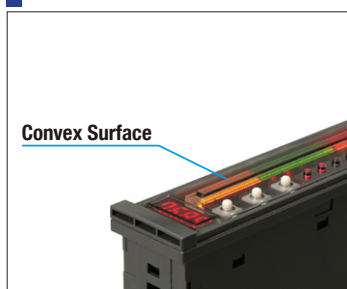
Universal power input of 100-240 Vac or 24 Vdc is selectable for all models. 2000 Vac isolation is maintained between input, relay output, transmitter output and power input. All models are CE marked.

For M-System product information and downloadable data sheets, visit On-Line Signal Conditioners Data Library at: <http://www.m-system.co.jp/mssenglish/index.htm>.

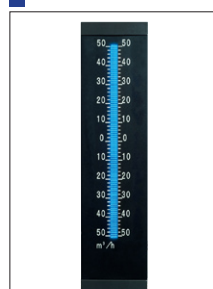
Wide viewing angle



Convex LED surface



Blue LED



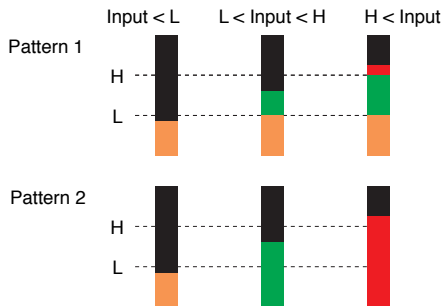
Easily replaceable scaleplate



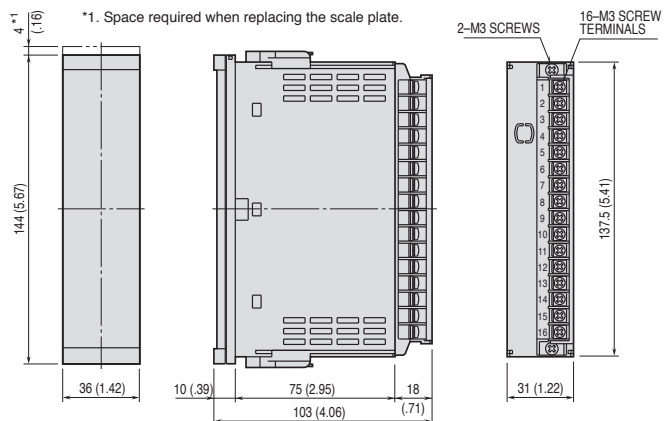
SPECIFICATIONS

Series	48NV	48NA	48ND
Display & alarm function	Single or Dual bargraph	Single bar + dual/quad alarm trip	Single bar + digital display + dual/quad alarm trip
Panel cutout size	36 x 144 mm		
Bargraph	101-segment LED, 100 mm (3.96 in) long, 3 mm (.12 in) wide		
Bar color	Red, Amber, Green, Blue	Red, Amber, Green, Blue, Multi-color	
Digital meter	---	---	4 digits, Red LED
Input	Specific range of 0-50 mA or ±10 Vdc		Specific range of 0-50 mA or ±10 Vdc, thermocouple, RTD or potentiometer input
Alarm output	---	2 or 4 points	2 or 4 points
Transmitter output option	---	4-20 mA, 1-5 V and other specific range	
Excitation supply option	---	24-28 Vdc @22 mA	
Power input	100-240 Vac or 24 Vdc		
Mounting direction	Vertical / Horizontal		Vertical
Degree of protection	IP65 front panel		
Model Selections	48NV	48NA	48ND
DC input, single channel	48NV-1	48NAV	48NDV
DC input, dual channel	48NV-2	---	---
DC input, transmitter output	---	48NAVA	48NDVA
4-20 mA input, excitation supply	---	48NAVD	48NDVD
Thermocouple input	---	48NAT	48NDT
RTD input	---	48NAR	48NDR
Potentiometer input	---	48NAM	48NDM

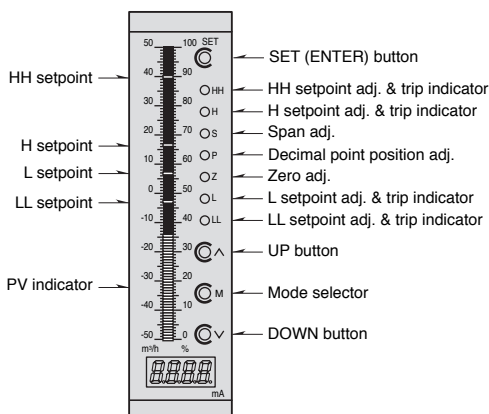
MULTICOLOR LED



EXTERNAL DIMENSIONS mm (inch)



FRONT PANEL EXAMPLE 48NDV-4



Your local representative: